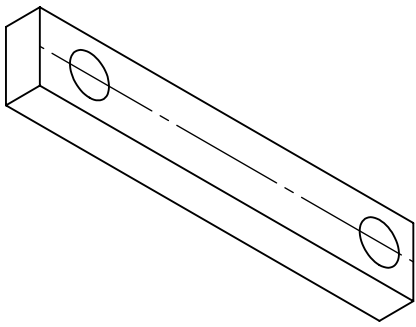


TAG	X LOC	Y LOC	SIZE
A1	0.183 ± 0.001	0.125 ± 0.001	#27 DRILL THRU ALL
A2	1.250 ± 0.001	0.125 ± 0.001	



UNLESS OTHERWISE SPECIFIED: DIMENSIONS ARE IN INCHES SURFACE FINISH: STOCK TOLERANCES: LINEAR: 0.001 in ANGULAR:		FINISH: STOCK	DEBUR AND BREAK SHARP EDGES
DRAWN	SIGNATURE	DATE	MATERIAL: 1018 Steel
CHK'D			
APPV'D			
MFG			
Q.A			
WEIGHT:		SCALE: 2:1	

DO NOT SCALE DRAWING	REVISION A
<p>This work is licensed under the Creative Commons Attribution-NonCommercial-ShareAlike 3.0 Unported License. To view a copy of this license, visit http://creativecommons.org/licenses/by-nc-sa/3.0/ or send a letter to Creative Commons, 171 2nd Street, Suite 300, San Francisco, California, 94105, USA.</p>	
TITLE: Logical Engine Drive Arm	
DWG NO. Drive Arm	A4
SHEET 1 OF 1	